

► LAN TV (Television on IP Networks)

«BNS» — A/V to IP Streaming Equipment

CE

Double A/V → IP Streamer



BNS-200

Model		BNS-200	
Reference		5105	
Inputs		(2x) Video (CVBS — PAL , SECAM , NTSC) (2x) Audio (ANALOGUE — Mono , ST/Dual)	
SNMP support — "traps"		Yes	
Input Section (A/V)	Video input level	Vpp	(2x) 0.7 ... 1.4
	Video input impedance	Ω	(2x) 75
	Max video resolution		PAL/SECAM: 720x576 ,, NTSC: 720x480
	Audio input level	Vpp	(2x) 0.5 ... 4.0
	Audio input impedance	Ω	(2x) > 600
MPEG Coding	Video coding		MPEG-2 MP&ML ,, MPEG-4 ASP
	Audio coding		MPEG-1 Layer II
Output Section (IP)	Standard		IEEE 802.3 10/100 BaseT
	Bit rate	Mbps	up to 100
	Transmission protocols		UDP / RTP
	No.of simultaneous streams		2
	Multicast		Yes
Connectors	Video connection		(2x) female RCA
	Audio connection		(4x) female RCA
	DC connection		"banana" socket
	Configuration		RS 232 / DB-9
	Ethernet output		RJ-45
General	Supply voltage	VDC	+12
	Consumption	mA	640
	Indicator LEDs		ON - STATUS - LINK - ACT
	Operating temperature	°C	0 ... +45
	Dimensions	mm	230 x 195 x 32

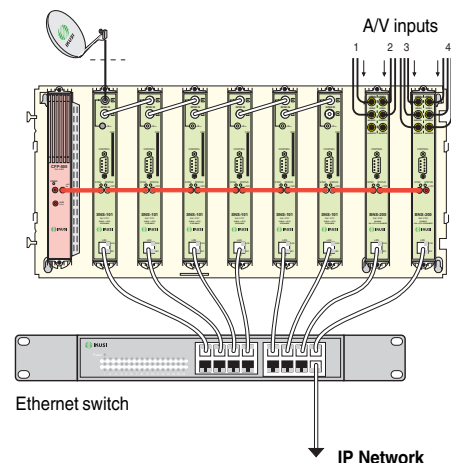
- The module is packed with 1 DC plug bridge, 53 mm length, for connection of +12 VDC voltage. (RCA plugs for video and audio input connections are not supplied)

BNS Headends

A BNS headend for A/V to IP streaming includes:

- One BNS-200 streamer per two video/audio sources.
- One or more CFP Power Supplies.
- One or more Rack-frames or Baseplates. The baseplates can be joined horizontally.
- Usually, one housing unit.

Video and audio input connectors are RCA type (two for video and four for audio). For power connection each streamer has two DC banana sockets for performing the +12 VDC cascade.



- Example of mixed BNS/SNS headend for four audio/video local sources and six digital satellite TV transponders. Contains 2 BNS-200, 6 SNS-101 and 1 CFP-500 power supply, all fixed on 1 BAS-900 baseplate.

The headend can feed the IP network with up to 48 TV programmes (8 programmes per SNS streamer) plus 4 local TV broadcasts (2 mono sound's and 2 stereo sound's).